

Third Party Listings

UL 355 - UL Standard for Safety Cord Reels

UL Listing means that **UL** has tested representative samples of a product and determined that the product meets specific, defined requirements. These requirements are often based on **UL's** published and nationally recognized Standards for Safety.

- UL tests the product and the manufacturing facility to certify that the product is safe if used as intended
- Recognized as the standard worldwide
- Mitigates insurance liability



CSA - C22.2 NO. 21-95 - Cord Sets & Power Supply Cords

CSA International certification marks indicate that a product, process or service has been tested to a Canadian or U.S. standard and it meets the requirements of an applicable **CSA** standard or another recognized document used as a basis for certification.

- Similar to UL, but preferred in some instances



Series L 3000 Cord Reels

- Ultra-compact for a wide range of bench mount or mobile applications with critical space requirements
- Easily fit within a 1 ft. x 1 ft. space
- Multiple slotted mounting holes to accommodate many configurations



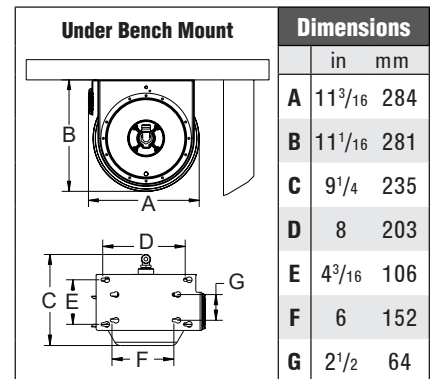
NEW!
L 3030 123 7Q



S602805 - Optional guide arm accessory; refer to online tech bulletin for installation instructions

Model w/ cord & bumper	Cord Ending	Cord Specifications						Volts	Amps	Weight	
		AWG	mm ²	# Cond	ft	m	Type*			lbs	kg
L 3030 123 3	Single receptacle NEMA 5-15R, Inlet straight blade plug NEMA 5-15P	12	3.32	3	30	9	SJTO	125	15	23	10
L 3030 123 7Q	Quad box outlet NEMA 5-20R, Inlet straight blade plug NEMA 5-20P	12	3.32	3	30	9	SJTO	125	20	25	11
L 3030 123 X	Flying Lead both ends	12	3.32	3	30	9	SJTO	125	20	24	11
S602805	Optional guide arm accessory for multiple adjustment positions									1.1	0.5

For indoor non-weathertight applications only. All models UL listed at 125 Volt 60 HZ single phase. Models supplied with 4 ft. inlet cord. *Cord type designation shows all combinations of cord types that may be used, only UL approved cord types will be used.



Triple Tap Power Cord Reels

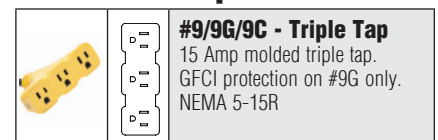


Model w/ cord & bumper	Cord Ending	Cord Specifications						Volts	Amps	Shipping Weight		Size Index #
		AWG	mm ²	# Cond	ft	m	Type**			lbs	kg	
L 4050 163 9	Triple tap outlet NEMA 5-15R, Inlet straight blade plug NEMA 5-15P	16	1.33	3	50	15	SJEOOW	125	13	26	12	1
L 4545 123 9		12	3.32	3	45	14	SJEOOW	125	15	28	13	1
L 70075 123 9		12	3.32	3	75	23	SE00W	125	15	71	32	5
L 70100 123 9		12	3.32	3	100	30	SE00W	125	15	75	34	5
L 4545 123 9G*	Triple tap outlet w/ GFCI NEMA 5-15R, Inlet straight blade plug NEMA 5-15P	12	3.32	3	45	14	SJEOOW	125	15	29	13	1
L 70075 123 9G*		12	3.32	3	75	23	SE00W	125	15	72	33	5
L 70100 123 9G*		12	3.32	3	100	30	SE00W	125	15	76	34	5
L 4545 123 9C	Triple tap outlet NEMA 5-15R, Inlet twist lock plug NEMA L5-15P	12	3.32	3	45	14	SJEOOW	125	15	28	13	1

For indoor non-weathertight applications only. All models UL listed at 125 Volt 60 HZ single phase. Swing brackets or pivot bases should be used if cords are pulled at more than 45°, see page 43. *The GFCI Receptacle is designed to protect from line-to-ground shock hazards. It does not protect against short circuits or overloads; this is the function of the fuse or circuit breaker. **Cord type designation shows all combinations of cord types that may be used, only UL approved cord types will be used.



Cord End Specifications



Refer to page 32 for dimensional drawings.